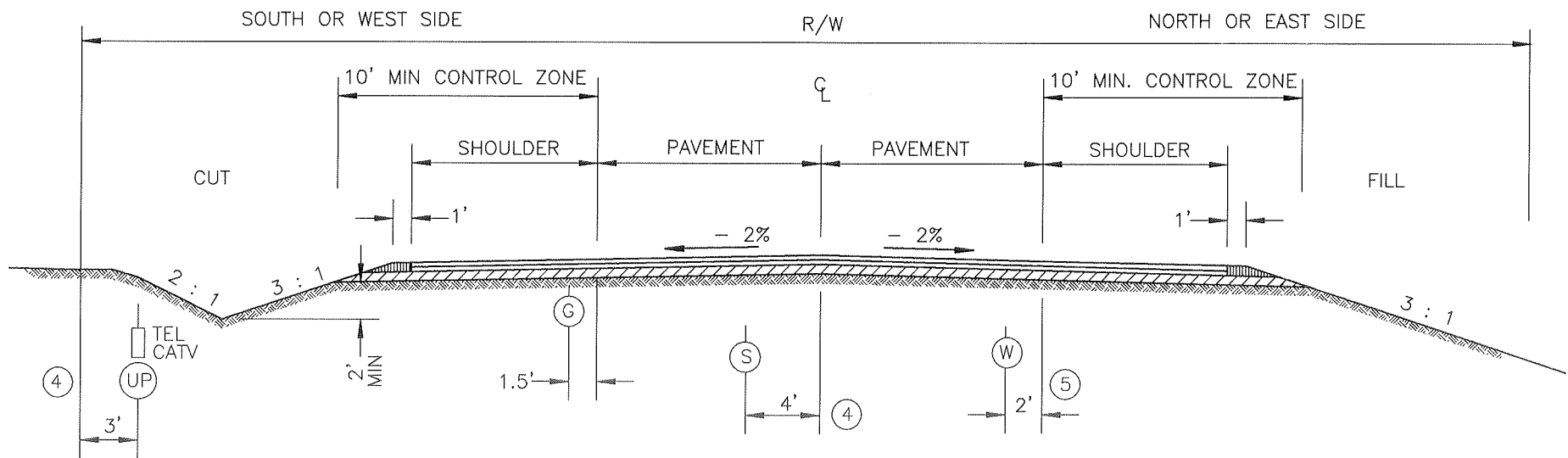


UTILITY LOCATIONS SHOWN ARE FOR NEW CONSTRUCTION. INSTALLATIONS WITHIN EXISTING ROADS MAY VARY AND WILL BE EVALUATED AT THE UTILITY PERMIT STAGE ON A CASE BY CASE BASIS. HOWEVER, WHETHER THE ROAD IS NEWLY CONSTRUCTED OR EXISTING, SANITARY SEWERS SHALL BE LOCATED AS SHOWN ON THIS DRAWING. NO UTILITY SHALL BE LOCATED DIRECTLY BELOW A ROADSIDE DITCH OR SWALE.



NOTES:

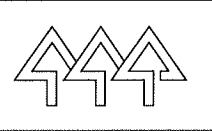
1. MINIMUM COVER AND SEPARATION FOR FIBEROPTICS, SANITARY SEWER, WATER, GAS, POWER AND NON-FIBEROPTICS TELEPHONE AND CABLE TELEVISION SHALL BE IN COMPLIANCE WITH FEDERAL AND STATE REGULATIONS.
2. POWER POLES AND OTHER ABOVE GROUND UTILITY OBJECTS SHALL BE PLACED OUTSIDE CONTROL ZONE AREAS UNLESS (1) JUSTIFIED TO THE ENGINEER'S SATISFACTION BY SUITABLE ENGINEERING STUDIES CONSIDERING TRAFFIC SAFETY (2) SHIELDED BY A BARRIER, (3) PLACED IN AN AREA NORMALLY INACCESSIBLE TO VEHICLES OR (4) UTILIZING A BREAKAWAY DESIGN. INSTALLATION OF POWER POLES AND OTHER ABOVE GROUND UTILITY OBJECTS WILL NOT BE PERMITTED IN SIDEWALKS OR WALKWAYS.
3. CONTROL ZONE DISTANCES SHOWN APPLY TO ROADS WITH A POSTED SPEED OF 35 MPH OR LESS. CONTROL ZONE DISTANCES FOR ROADS POSTED AT GREATER THAN 35 MPH SHOULD BE DETERMINED ACCORDING TO CHAPTER 710, TRAFFIC BARRIERS, OF THE WSDOT DESIGN MANUAL.
4. MAY BE PLACED EITHER SIDE OF CENTERLINE. IN RESIDENTIAL PLATS, POWER, TELEPHONE, CABLE TV AND GAS MAY SHARE THE SAME TRENCH.
5. PERMITTED IF EXISTING SHOULDER WIDTH IS NOT SUFFICIENT. TYPICAL WATER LINE SEPARATION SHALL BE AT LEAST 5 FT. FROM OTHER UTILITIES AND 4 FT. FROM ROAD CENTERLINE.

KEY

- (UP) UNDERGROUND POWER
- TEL CATV TELEPHONE, CABLE TELEVISION
- (G) GAS
- (S) SANITARY SEWER
- (W) WATER
- STORM SEWER NOT SHOWN

SEE TEXT SECTION 8-02

S:\TES\LANDUSE\IEDDS\IEDDS DRAWINGS\Ch8\8010.dwg



SNOHOMISH COUNTY PUBLIC WORKS

8-010 TYPICAL UTILITY LOCATIONS - SHOULDER SECTION

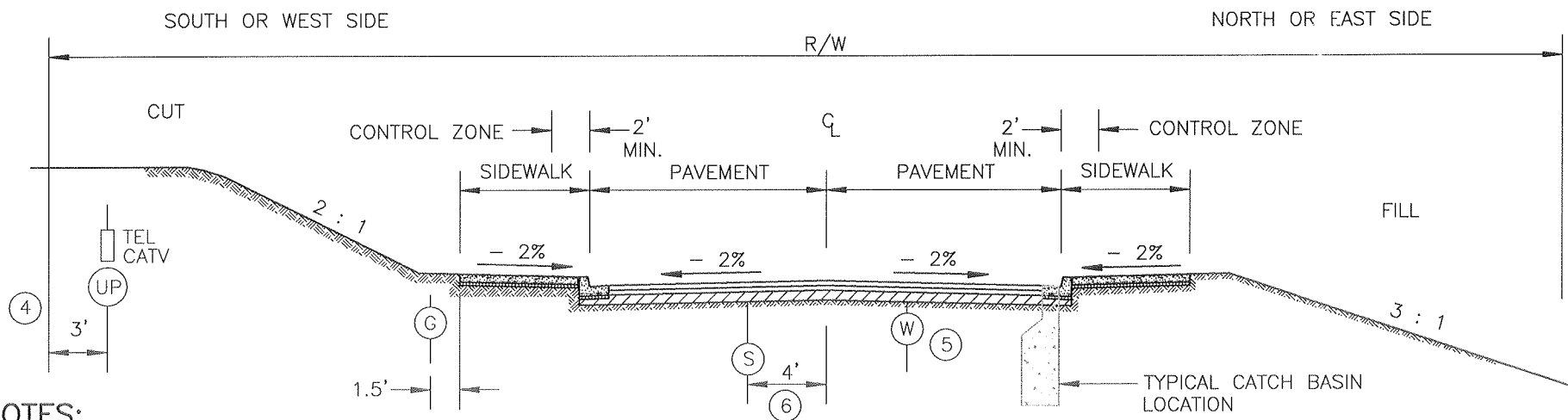
APPROVED BY:

Steven E. Morrison 4-17-03

COUNTY ROAD ENGINEER

DATE






UTILITY LOCATIONS SHOWN ARE FOR NEW CONSTRUCTION. INSTALLATIONS WITHIN EXISTING ROADS MAY VARY AND WILL BE EVALUATED AT THE UTILITY PERMIT STAGE ON A CASE BY CASE BASIS. HOWEVER, WHETHER THE ROAD IS NEWLY CONSTRUCTED OR EXISTING, SANITARY SEWERS SHALL BE LOCATED AS SHOWN ON THIS DRAWING. NO UTILITY SHALL BE LOCATED DIRECTLY BELOW A ROADSIDE DITCH OR SWALE.



NOTES:

1. MINIMUM COVER AND SEPARATION FOR FIBEROPTICS, SANITARY SEWER, WATER, GAS, POWER AND NON-FIBEROPTICS TELEPHONE AND CABLE TELEVISION SHALL BE IN COMPLIANCE WITH FEDERAL AND STATE REGULATIONS.
2. POWER POLES AND OTHER ABOVE GROUND UTILITY OBJECTS SHALL BE PLACED OUTSIDE CONTROL ZONE AREAS UNLESS JUSTIFIED TO THE ENGINEER'S SATISFACTION BY SUITABLE ENGINEERING STUDIES CONSIDERING TRAFFIC SAFETY (2) SHIELDED BY A BARRIER, (3) PLACED IN AN AREA NORMALLY INACCESSIBLE TO VEHICLES OR (4) UTILIZING A BREAKAWAY DESIGN. INSTALLATION OF POWER POLES AND OTHER ABOVE GROUND UTILITY OBJECTS WILL NOT BE PERMITTED IN SIDEWALKS OR WALKWAYS.
3. CONTROL ZONE DISTANCES SHOWN APPLY TO ROADS WITH A POSTED SPEED OF 35 MPH OR LESS. CONTROL ZONE DISTANCES FOR ROADS POSTED AT GREATER THAN 35 MPH SHOULD BE DETERMINED ACCORDING TO CHAPTER 710, TRAFFIC BARRIERS, OF THE WSDOT DESIGN MANUAL.
4. MAY BE PLACED EITHER SIDE OF CENTERLINE. IN RESIDENTIAL PLATS, POWER, TELEPHONE, CABLE TV AND GAS MAY SHARE THE SAME TRENCH.
5. WATER LINE LOCATION TO BE DETERMINED BASED ON SITE CONDITIONS IN CONJUNCTION WITH THE WATER PROVIDER. TYPICAL SEPARATION SHALL BE AT LEAST 5 FT. FROM OTHER UTILITIES AND 4 FT. FROM ROAD CENTERLINE.
6. MAY BE PLACED EITHER SIDE OF CENTERLINE.

KEY

-  UNDERGROUND POWER
-  TEL CATV TELEPHONE, CABLE TELEVISION
-  GAS
-  SANITARY SEWER
-  WATER

SEE TEXT SECTION 8-02

S:\TES\COMMON\EDDS\EDDS DRAWINGS\Ch8\8020.dwg



SNOHOMISH COUNTY PUBLIC WORKS

8-020

TYPICAL UTILITY LOCATIONS - CURB SECTION

APPROVED BY:

Steven E. Morrison

2-25-03

COUNTY ROAD ENGINEER

DATE