

Appendix C - Natural Gas Shut-Off

Natural gas leaks and explosions are responsible for a significant number of fires following any major earthquake. *It is vital that all household members know how to shut off the natural gas.*

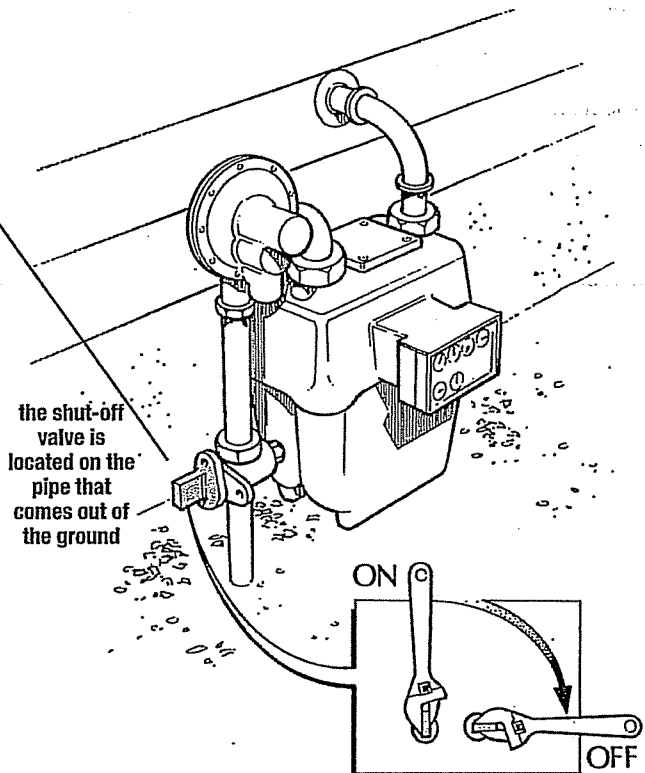
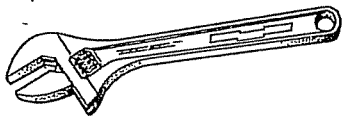
Preparing to shut off the natural gas

- Locate the shut-off valve. To shut off the gas, turn the valve 90°, or 1/4 turn, so that it crosses the pipe.

If your valve is rusted open, do **not** put WE-40™ or similar lubricant on it. It may corrode the O-rings that allow the valve to turn.

- Place a **12-inch crescent wrench** at the meter, or attach one to the wall directly behind the meter. This saves time in trying to locate one immediately following disaster.

Adjust it to fit your valve in case it rusts.



Shutting off gas after an earthquake

- Shut off the gas immediately **only** if you smell the characteristic odor of gas, you hear a hissing sound, and/or you notice the meter dials spinning more rapidly than normal.
- Do not use matches, lighters, open flame appliances, or operate any electrical switches until you are sure no gas leaks exist. Sparks from electrical switches could ignite the gas.
- If you smell natural gas, immediately get everyone out of and away from the house. Open the windows and doors to provide ventilation. Shut off the gas at the meter.

NOTE:

- **NEVER** turn the gas back on once it has been shut off. If you do, you may create a gas leak in your home.
- Only a certified plumber or crew member from the gas company knows how to safely relight your pilot lights **AND** how to inspect your system for leaks.